

The Box-Box 75 and Box-Box 115

BOX-BOX - BB-75-C and BB-115-C (Classic)

BOX-BOX - BB-75-E and BB-115-E (Electronic) « System of safety by direct measure of the rate of CO2 integrated into the device»

Made by CLIMART, 6 London Street, W2 1HR London, ENGLAND. June 2009.

- Output 3500 W, Consumption 0,452 l/per hour (0.119 gal per Hour)
- Use only in rooms of Minimum 20 m².
- Recharging by supplied cordon : sector 220/230V AC 50Hz (BB-75-E et BB-115-E)

Before any use, the device must be installed(settled) according to the prescriptions of the paragraph 1

- This apparatus is manufactured to have an intermittent functioning.
- The non-observance of these rules can involve serious wounds (burns in particular) for the user and the people around as well as fire hazards.
- Use your CLIMART FIRE only in well ventilated areas.
- People with breathing problems should consult a physician before using the Fireplace.
- Always observe the guide for provision of combustion and ventilating air for unvented heaters.
- Install the Fireplace and pose it on a horizontal surface. Fix it against the wall.
- Respect the local by-laws and prefectural as regards fires. It is interdict to make fires near resinous trees and more generally in forest in aestival period

SAFETY ADVICES



- This device produces products of combustion.
- Never use your CLIMART FIRE in areas where flammable vapours or gas may be present.
- Every room where the apparatus is used must be provided with a sufficient entrance of air and with an efficient exit of air (minimal section of 50 cm² for every orifice).
- Do not use THE FIREPLACE and its burner near flammable products: curtains, fabrics, pieces of furniture, etc.
- Never use your Climart fire to heat or boil water or as a cooking appliance.
- Do not pack required air spaces with insulation or other materials.
- ALWAYS COMPLETELY CLOSE AGAIN the VALVE OF the BURNER AFTER the END of ITS USE
- The valve of the burner (opening – closing) must remain permanently completely opened during its functioning to assure a complete combustion of the combustible.
- It is forbidden to use this device in caravans, boats and any types of vehicles, etc.
- It is forbidden for the users to intervene on the systems of safety
- For the models BB-75-E and BB-115-E, a system of safety prevents the hot relighting, do not hinder its functioning.
- For the models BB-75-C and BB-115-C a period of 15 minutes must be observed between the extinction of the flame and the filling of the reservoir or its relighting.
- Do not use paper, newspapers to make start fire. Light it with a lighter of 30 cm.
- Do not move the device if it is functioning.
- If the power cable of this device is damaged, its replacement must be realized by CLIMART, or by a specialist, to avoid any danger.
- WARNING - THE CLIMART FIRE HAS NOT BEEN TESTED WITH AN UNVENTED GAS LOG SET. TO REDUCE THE RISK OF FIRE OR INJURY, DO NOT INSTALL AN UNVENTED GAS LOG SET INTO THIS FIREPLACE
- In the event of burn, go immediately to the nearest hospital. Do not apply any greasy substance to the burn. If it is surface and nonwide, carry out only one cooling by means of fresh water during several minutes. Consult a doctor with the slightest doubt on the gravity of a burn.
- Never put the hand, touch or lean on the Box-Box if it is functioning.
- YOU MUST ALWAYS HAVE A CLASS B FIRE EXTINGUISHER IN CLOSE PROXIMITY TO THE CLIMART FIRE IN CASE OF FIRE.
- NEVER OVERFILL THE BURNER. FILL ONLY TO THE LEVEL INDICATED. IF ACCIDENTAL OVERFILLING OCCURS, DO NOT LIGHT THE BURNER. SOAK UP EXCESS FUEL WITH A DRY RAG AND ALLOW THE RAG TO AIR DRY FULLY BEFORE DISPOSAL.
- Due to high surface temperatures, keep children, clothing and furniture away. Keep the Fireplace permanently UNDER SURVEILLANCE as soon as fire started.
- Never use frames which are not of origin or stamped CLIMART.
- Never to leave an object in the slides of the frames (paintings, photos etc.) when the Box-Box is lit. Remove these objects before the ignition.
- Never use in a room with drafts.

WARNING COMBUSTIBLE



- WARNING - RISK OF EXPLOSION: ONLY USE THE RECOMMENDED FUEL FOR YOUR CLIMART FIRE (denatured Ethyl-Alcohol 95,6% vol. minimum). NEVER USE FUELS SUCH AS PETROL, DIESEL, THINNERS OR GAZOLINE.
- Never store the fuel for your CLIMART FIRE in the living area.
- NEVER ADD FUEL TO YOUR CLIMART FIRE WHILE IT IS STILL LIT OR HAS JUST BEEN EXTINGUISHED. Always allow the burner to cool before adding fuel. Wait at least 10 minutes and until the temperature of the burner doesn't exceed 50° Celsius.
- The addition of other additive (essential oil, perfumes) in the fuel is forbidden.
- Do not throw anything in the fuel which burns.
- During the filling, ventilate the room, do not smoke, switch off the mobile phone.
- do not use manual or electric pump directly to fill(perform) the reservoir.
- The filling of the reservoir has to be made when the fire is put out (safety against the fire).
- Never evacuate the fuel in the water pipelines nor in nature. Respect the environment!
- Do not store Bio-ethanol near the Fireplace

1) PREPARATION OF THE DEVICE BEFORE USE.

See the film of assembly on www.box-box.com/montage.htm

Unpacking :

- Remove the packaging of your Box-Box and of the burner.
- Verify that no object got into the reservoir. Remove it if necessary.

To fix against a wall:

- The Box-Box is designed to be wall mounted.
- A mounting bar with holes is supplied with the fireplace. You will have to take into account the type of wall you are fixing the fireplace to ensure the mountings are able to bear the load. For example, if fixing to concrete, Dynabolts or similar will take the weight of the fireplace easily. If you are fixing it to plasterboard or drywall you will need to fix the mounting bracket to the studs behind the wall. If in doubt, seek specialist advice.
- Using a spirit level to ensure it is straight, fix the bar using appropriate fittings for the type of wall you are fixing it to, ensuring that it is well able to bear the weight.
- The bar fixed to the wall has two slots at the end to take the tabs located on the back of the fireplace. Wall mounting bracket (top view) bracket on rear of fireplace.
- With the aid of another person, lift the fireplace and place it against the wall, aligning the tabs and the slots, then slide it gently along the wall until the tabs on the rear of fireplace lock into the slots on the bracket.
- Check that the fireplace is level using a spirit level.
- Withdraw from the Fireplace possible protections: paperboards, plastics of contact, materials of packing, plastics of protection.
- Install the stainless block of combustion in the base of the insert. This block is delivered with a lever of opening and closing. Open and close the block of combustion with its lever in order to test the system.

Load of batteries for the models BB-75-E and BB-115-E

- Connect the supplied cordon and plug it to 230 / 240V
- Load batteries until the extinction of the diode of safety of your Box-Box.
- Never intervene on batteries and systems of safety. See paragraph 7

2) PRECAUTION OF INSTALLATION OF THE DEVICE IN ITS ENVIRONMENT

- Put nothing above the device unless 1 metre of its highest part.
- Put no object on the device in functioning.
- Leave the free access with controls.
- Do not leave curtains or lace curtains unless 1 metre of the device.
- Do not use in a room in draft.
- Warn the fragile persons in particular the children of the dangers of the fire. Never let them approach the Box-Box

3) FILLING OF the RESERVOIR

- Use only the CLIMART alcohol delivered in a packaging of safety. Fill the reservoir carefully without overflowing using the supplied funnel.
- Close the bottle and take it away far from the fireplace.
- Stop at once the filling when the maximum level is reached (MAX mark).
- If ever some alcohol spread on the reservoir, wipe it completely with a cloth or an absorbing paper BEFORE to start the fire.
- Check that no alcohol trace remains outside of the tank before the lighting of the burner.

4) INSTRUCTIONS FOR USE OF THE VARIOUS PROPOSED FUNCTIONS

a) For the models BB-75-E and BB-115-E

OPENING

- Open the closing blade of the reservoir by pressing once on the button situated to the left side of the Box-Box.
- Close the closing blade if you do not light the flame by pressing again on the button.
- The closing blade must be always closed when the device is switched off.
- Light the flame with the long lighter supplied with the Box-Box.
- Do not approach the hand unless 20 cm of the burner

It is to note that the flame is low and blue in the starting up of the device. This one will take the real scale after some minutes only.

CLOSING

To switch off the flame, press on the button "OFF".

Note that if you want to relight the flame, you can do it only the diode close to the button " ON/OFF" is switched off. An automatic system of safety prevents the opening of the closing blade if the reservoir is more than 60 °. Then press the button for the opening of the closing blade and relight the burner.

TWINKLING DIODES

CO²

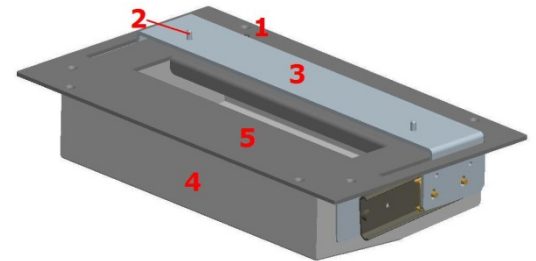
Weak Battery

Temperature of the reservoir

b) For the models BB-75-C and BB-115-C

OPENING

- To open or close the burner (3), use the lever to push the opening contact (2).
- The intensity of the flame and the resulting heat output are governed by the amount the valve (3) is open - a smaller opening will give a smaller flame and less heat, while a larger opening will increase the intensity of the flame and the heat output.
- Simply adjust the opening contact until the desired heat output is achieved
- If the burner has been previously lit, wait about 15 minutes before re-fuelling your CLIMART Fire to ensure that the burner is cool, ensure that the flame valve (3) is closed and that no flames or glowing objects are present in the burner or nearby.
- Do not smoke while fuelling or re-fuelling the burner.
- Open the fuel tank aperture (1) by closing the valve (3) of the burner using the lever (6) and rotating the cover of the aperture to the open position. .
- Ensure the tank is not filled past the maximum level. Should some fuel spill during fuelling, wipe up any excess with a dry rag or paper towel and place them outside to allow the volatile fumes to dissipate before disposing.
- Wash your hands thoroughly.
- Before relighting the fire, ensure the fuel supply you used to fill the burner (jerry can or such) is well away from the burner. We recommend using a long barbecue-type lighter to light the burner.



- 1) Burner
- 2) Opening screws
- 3) closing blade
- 4) tank
- 5) upper plate

Operating

To open or close the burner (3), use the lever to push the opening contact (2).

When the valve (3) opens, the filling aperture (1) is closed.

The intensity of the flame and the resulting heat output are governed by the amount the valve (3) is open - a smaller opening will give a smaller flame and less heat, while a larger opening will increase the intensity of the flame and the heat output. Simply adjust the opening contact until the desired heat output is achieved.

Extinguishing

- The burner may be turned off whilst in operation and should always be extinguished if you leave the room.
- To extinguish the burner simply close the valve (3) of the burner using the lever (6).
- Never try to close the valve by hand as the body of the burner becomes extremely hot during operation. Attempting control by hand may result in severe burns.

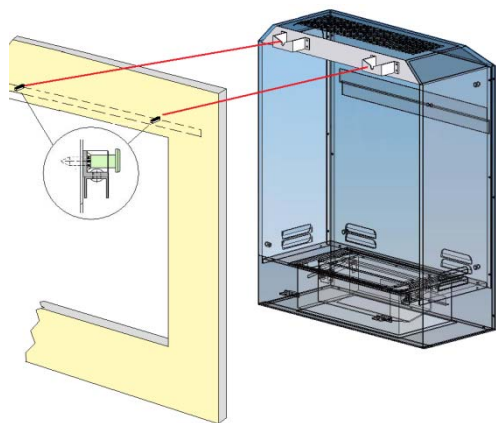
Lighting and relighting

The burner may be lit if:

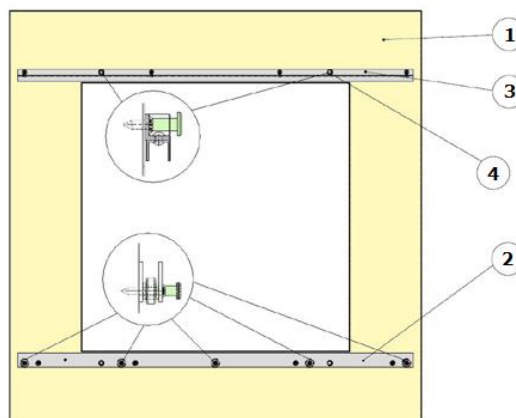
- The body of the burner is cold.
- There are no fuel spills anywhere near the burner.
- The burner is not filled beyond maximum capacity.
- The fuel storage (jerry can) has been properly closed and removed from the proximity of the burner.
- The burner is well away from flammable material (textiles, curtains, furnishings etc).
- The plug has been placed over the filling aperture.
- There is a means of putting out the fire (class B fire extinguisher) within easy reach.
- There are no children or pets near the burner.

5) CHANGE OF the FRAME

- Attention change the frame only if the fire is extinguished.
- Wait 15 minutes after the extinction of the burner to change your frame
- One use frames made by CLIMART.



On the back (1) of the frame, 2 rails are fixed, of which a rail with 4 small wheels (2). This rail is the one in the bottom. The superior rail (3) has two hooks (4) which allow to hang on the frame to the Box-Box.



6) INSERTION OR WITHDRAWAL OF AN ELEMENT IN SLIDE CHANNELS

- Attention : Any change of an element in the slides rails is only to be made when the fire is switched off.
- Wait 15 minutes after the extinction of the burner to insert this element.
- Position the element to be inserted behind the frame and make it slide in the rails.
- Only use CLIMART's products.



7) MAINTENANCE and CLEANING – DEPANNAGE

Maintenance:

- Before touching the burner, ensure that the burner has been extinct for at least ten minutes and that its body is perfectly cold.
- The only intervention necessary is the cleaning of the burner with a soft rag.
- The burner being prone to modifications of temperature and permanently in contact of the flame, stainless of the burner can change appearance after a certain time. This is normal.
- A blackening is possible around the trap door. A regular cleaning makes it possible to attenuate the modifications of colors.
- The processes of combustion can generate carbon residues. You can clean these residues with a soft brush then with a soft rag.
- Never clean the interior of the burner with water or with one deterging.
- ALWAYS COMPLETELY CLOSE AGAIN the VALVE OF the BURNER AFTER the END of ITS USE

Cleaning of the body of the Fireplaces:

The bodies of Fireplaces are cleaned using a soft rag with dust, water or with one cleaning for pane largely diluted. Never use alcohol, deterging, painting thinner or all other chemical.

Certain components are determining the safety and the functioning of your Box-Box. Their replacements may modify the performances of your device. Only components of origin must be used during the operations of maintenance, or possible repairs. This maintenance can be operated only by specialists approved by Climart.

Box-Box BB 75-E and BB 115-E are manufactured according to the NF French standard D35-386